

# 1000C SERIES (Card Extender Type)

## FEATURE

Insulator Material : PBT UL94V-0  
 Contact Material : Phosphor Bronze  
 Plating : Selective Gold Plating Over Nickel On Contact Area  
 100μ" Tin Plating On Tail Section  
 50μ" Nickel Underplating

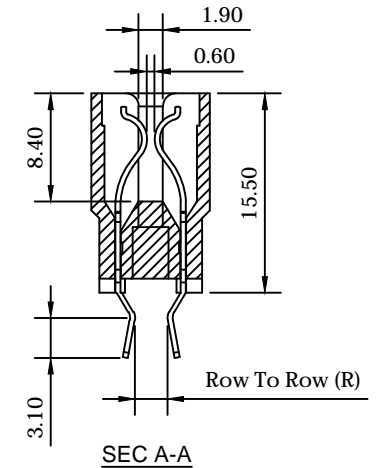
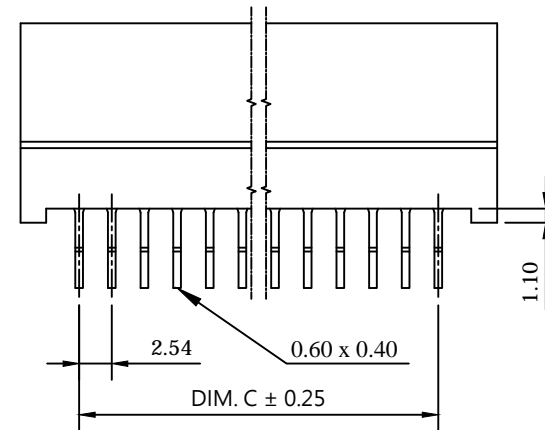
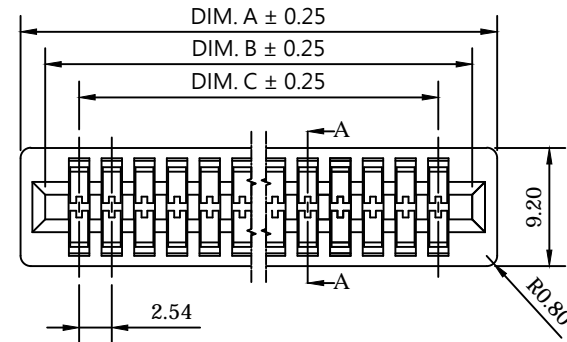
## SPECIFICATION

Current Rating : 3 Ampere  
 Contact Resistance : 20 milliohms maximum  
 Insulation Resistance : 5000 megohms minimum  
 Voltage Rating : 800 VAC 1 minute  
 Operation Temperature Range : -55°C to +105°C

## ORDERING INFORMATION

1000C - □□□ - □ - □ - □



No. of Contacts ——— Other Custom Options  
 Row To Row (R) ——— Plating Code



No. of Contacts	Dimensions (Dim.)			No. of Contacts	Dimensions (Dim.)		
	A	B	C		A	B	C
2/4	11.68	7.82	2.54	18/36	52.32	48.46	43.18
3/6	14.22	10.36	5.08	19/38	54.86	51.00	45.72
4/8	16.76	12.90	7.62	20/40	57.40	53.54	48.26
5/10	19.30	15.44	10.16	22/44	62.48	58.62	53.34
6/12	21.84	17.98	12.70	24/48	67.56	63.70	58.42
7/14	24.38	20.52	15.24	25/50	70.10	66.24	60.96
8/16	26.92	23.06	17.78	30/60	82.80	78.94	73.66
9/18	29.46	25.60	20.32	31/62	85.34	81.48	76.20
10/20	32.00	28.14	22.86	32/64	87.88	84.02	78.74
11/22	34.54	30.68	25.40	35/70	95.50	91.64	86.36
12/24	37.08	33.22	27.94	36/72	98.60	94.18	88.90
13/26	39.62	35.76	30.48	40/80	108.20	104.34	99.06
14/28	42.16	38.30	33.02	43/86	115.82	111.96	106.68
15/30	44.70	40.84	35.56	49/98	138.68	134.82	129.54
16/32	47.24	43.38	38.10	50/100	133.60	129.74	124.46
17/34	49.78	45.92	40.64				

Row to Row (R)	
A	1.60
B	2.54
C	3.81

Plating Code	
1	10μ"
2	G/F
3	3μ"
4	5μ"
5	G/F Overall
6	30μ"
7	Tin Overall
8	15μ"
9	20μ"

Title : Customer Drawing	Type : Edgecard Connector	 彩電企業股份有限公司 CHARTRON INCORPORATION
Part No. : 1000C Series		
Description : Pitch 2.54 mm Edge Card Connector Card Extender Type Without Mounting Ear		Tolerances Unless Otherwise Specified : X.° ± .50    .X ± 0.38    .XX ± 0.25 X.° ±        .X° ±        .XX° ±
DWG No. : 010 - 0000 - 510C	Date : 01 - Feb. - 2018	
APPD. : James C.	CHK. : Connie Z.	DRW. : Bryant C.
	Dim. mm	Scale N/A
	Sheet 1 of 1	Rev. J